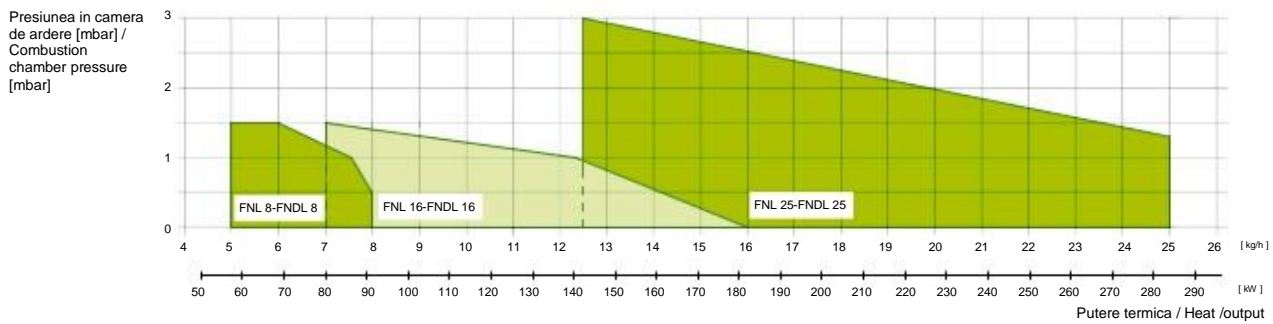
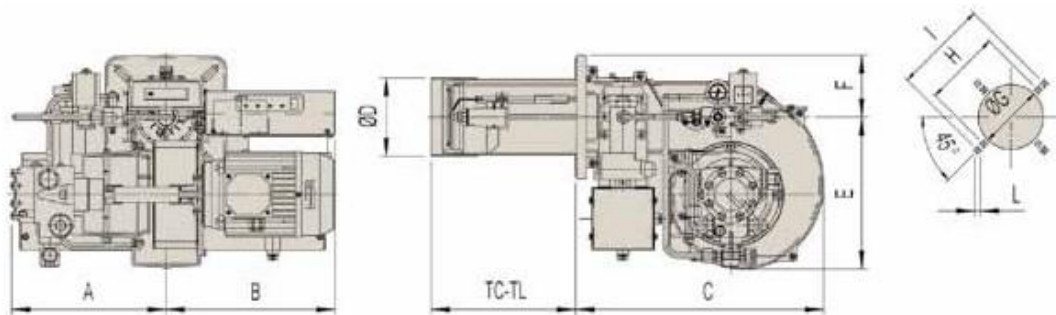




1 TREAPTA pentru CLU 1 STAGE for fluid heavy oil		1 TREAPTA pentru Ulei Ars 1 STAGE for dense heavy oil		kg/h min max		kW min max		⚡
FNL 8	FNDL 8	5	8	57	91,1			
FNL 16	FNDL 16	7	16	79,8	182			
FNL 25	FNDL 25	12,5	25	142	285			

CARACTERISTICI / DIMENSIUNI de GABARIT (mm) / FIRING RATES / OVERALL DIMENSIONS (mm)



MODEL / MODEL

		A	B	C	D	E	F	G	H	I	L	TC	TL
FNL 8	FNDL 8	253	294	410	107	251	102	120	180	226	M10	110	230
FNL 16	FNDL 16	253	294	410	107	251	102	120	180	226	M10	110	230
FNL 25	FNDL 25	255	294	410	130	251	102	140	180	226	M10	120	240



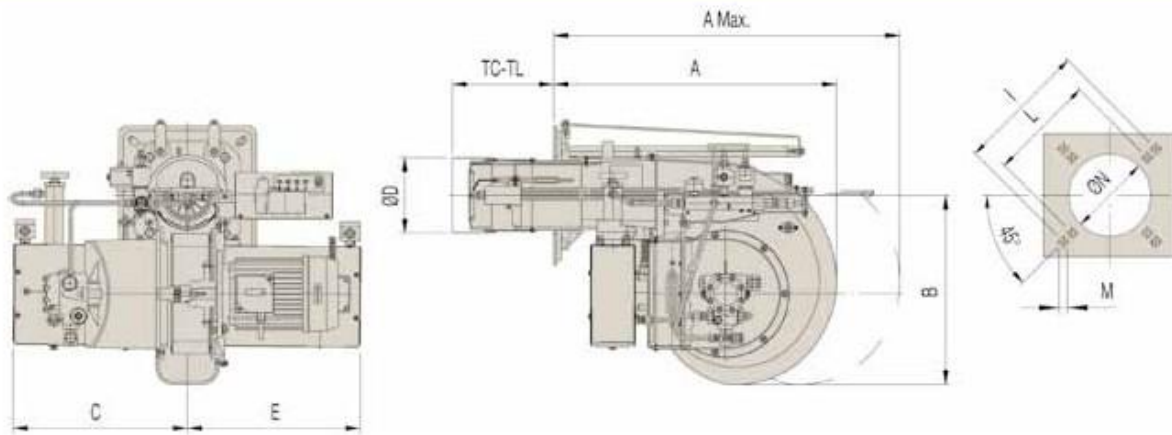
SERIE FNP - FNDP

2 Trepte de la 137 la 1709 kW / 2 Stages from 137 up to 1709 kW

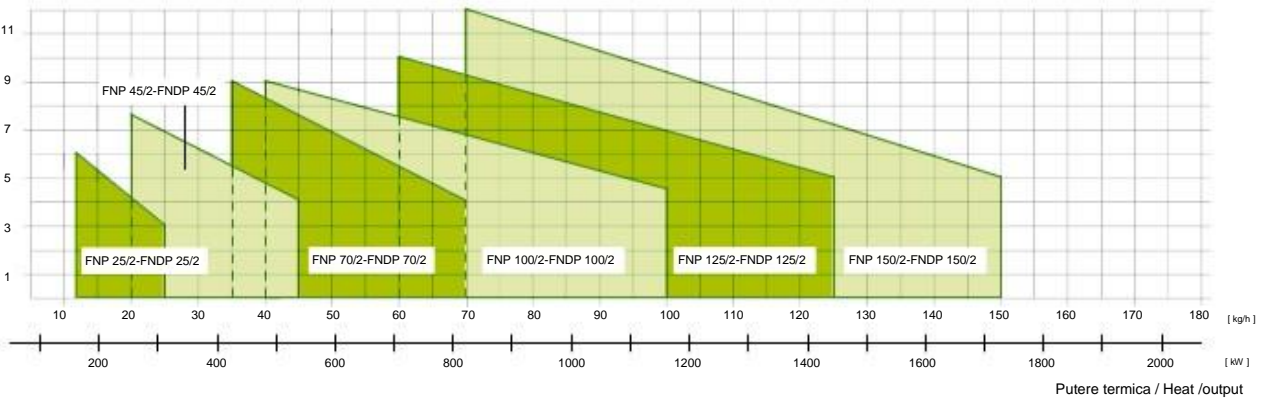


2 TREPTE pentru CLU 2 STAGES for fluid heavy oil	2 TREPTE pentru Ulei Ars 2 STAGES for dense heavy oil	kg/h min max		kW min max		3F
FNP 25/2	FNDP 25/2	12	25	137	285	
FNP 45/2	FNDP 45/2	20	45	228	513	
FNP 70/2	FNDP 70/2	35	70	399	798	
FNP 100/2	FNDP 100/2	40	100	456	1139	
FNP 125/2	FNDP 125/2	60	125	684	1424	
FNP 150/2	FNDP 150/2	70	150	798	1709	

CARACTERISTICI / DIMENSIUNI de GABARIT (mm) / FIRING RATES / OVERALL DIMENSIONS (mm)



Presiunea in camera 11 de ardere [mbar]
Combustion chamber pressure [mbar]



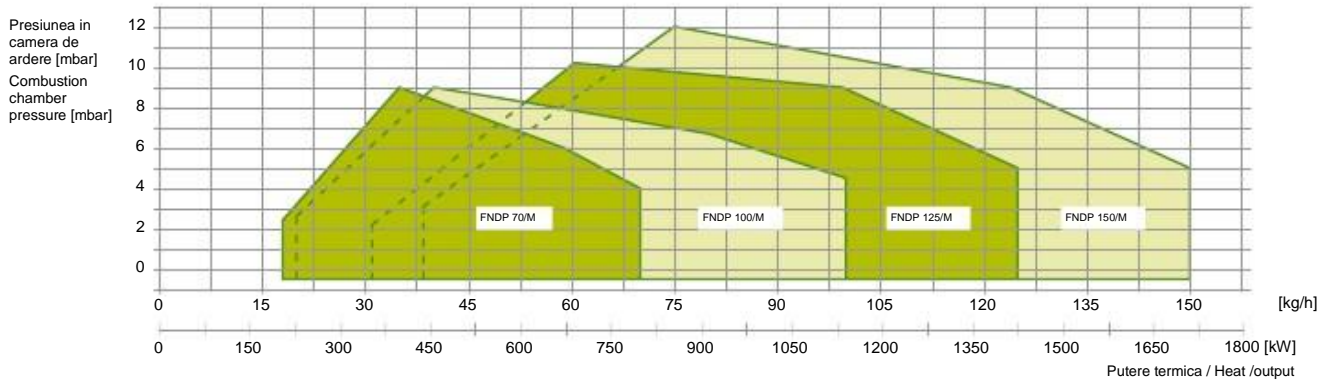
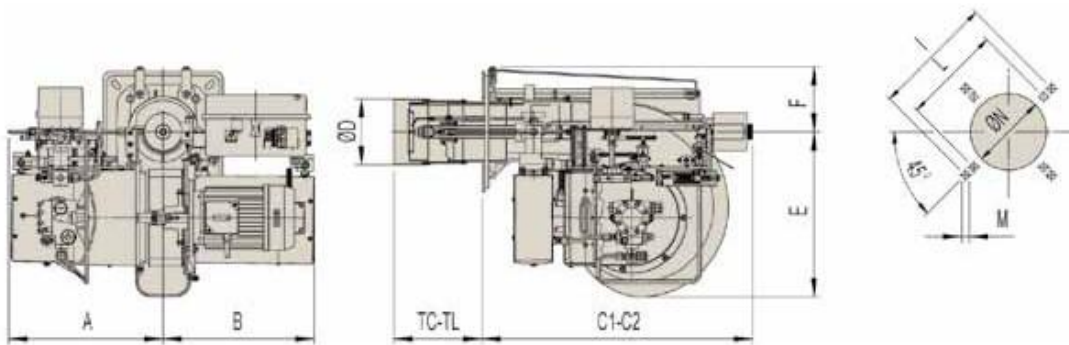
MODEL / MODEL

Model	Model	A	A Max.	B	C	D	E	TC	TL	I	L	M	N
FNP 25/2	FNDP 25/2	540	950	325	295	135	319	170	350	340	283	M12	145
FNP 45/2	FNDP 45/2	540	950	325	295	155	319	170	350	340	283	M12	160
FNP 70/2	FNDP 70/2	660	1100	355	295	165	326	250	350	368	340	M12	180
FNP 100/2	FNDP 100/21	656	1085	440	410	175	400	235	335	368	340	M12	190
FNP 125/2	FNDP 125/2	820	1400	520	420	209	400	200	400	368	340	M14	230
FNP 150/2	FNDP 150/2	820	1400	520	420	209	400	200	400	368	340	M14	230



PROGRESIV MODULANT PROGRESSIVE & MODULATING	kg/h minmax	kW		3F
		min	max	
FNDP 70/M	18/35	70	205/399	798
FNDP 100/M	20,5/40	100	233/456	1139
FNDP 125/M	29/60	125	330/684	1424
FNDP 150/M	38,5/75	150	438/854	1709

CARACTERISTICI / DIMENSIUNI de GABARIT (mm) / FIRING RATES / OVERALL DIMENSIONS (mm)

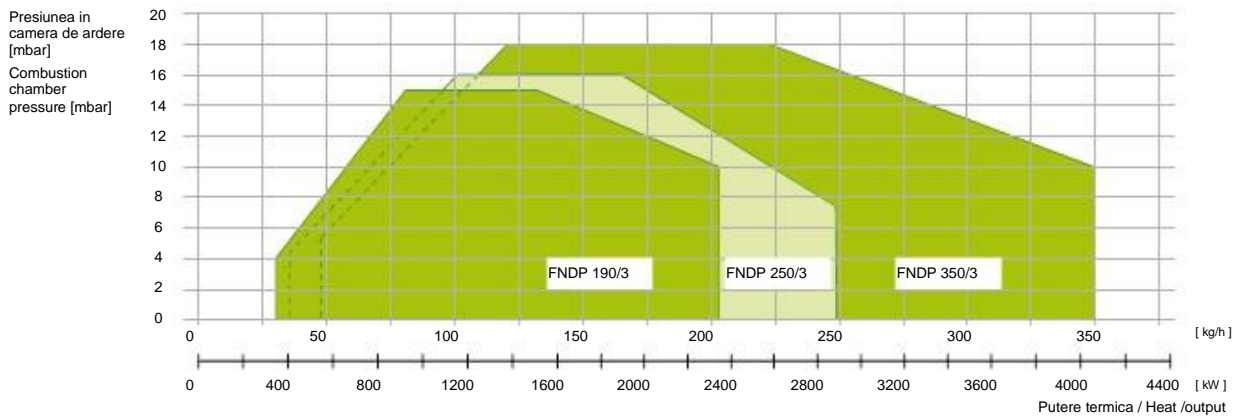
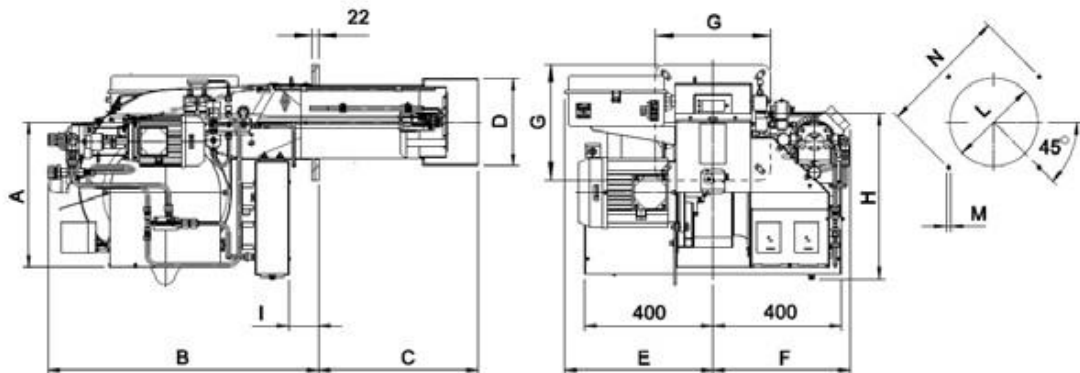


MODEL / MODEL	A	B	C1	C2	D	E	F	TC	TL	I	L	M	N	* Sugestie / Suggested	
														C2= dimensiune de ansamblu cu arzătorul în poziția de întreținere	C2= overall dimension with the burner out in position of maintenance
FNDP 70/M	360	385	735	1175	165	355	171	250	350	368	340	M12	180		
FNDP 100/M	410	400	720	1150	175	440	173	235	335	368	340	M12	190		
FNDP 125/M	420	400	860	1440	209	520	213	200	400	368	340	M14	230		
FNDP 150/M	420	400	860	1440	209	520	213	200	400	368	340	M14	230		



3 TREPTE / 3 STAGES	kg/h minmax	kW		3F
		min	max	
FNDP 190/3	40/80	206	456/911	2347
FNDP 250/3	50/100	250	570/1139	2849
FNDP 350/3	60/120	350	684/1367	3988

CARACTERISTICI / DIMENSIUNI de GABARIT (mm) / FIRING RATES / OVERALL DIMENSIONS (mm)



MODEL / MODEL

* Sugestie / Suggested

	A	B	C	D	E	F	G	H	I	L min	L*	L max	M	N min	N*	N max	R
FNDP 190/3	453	850	495	234	464	430	360	490	93	245	280	320	M14	396	424	438	R30
FNDP 250/3	453	850	500	271	464	430	360	490	93	280	280	320	M14	396	424	438	R30
FNDP 350/3	481	942	535	334	575	488	490	494	75	350	350	450	M14	552	552	580	R50

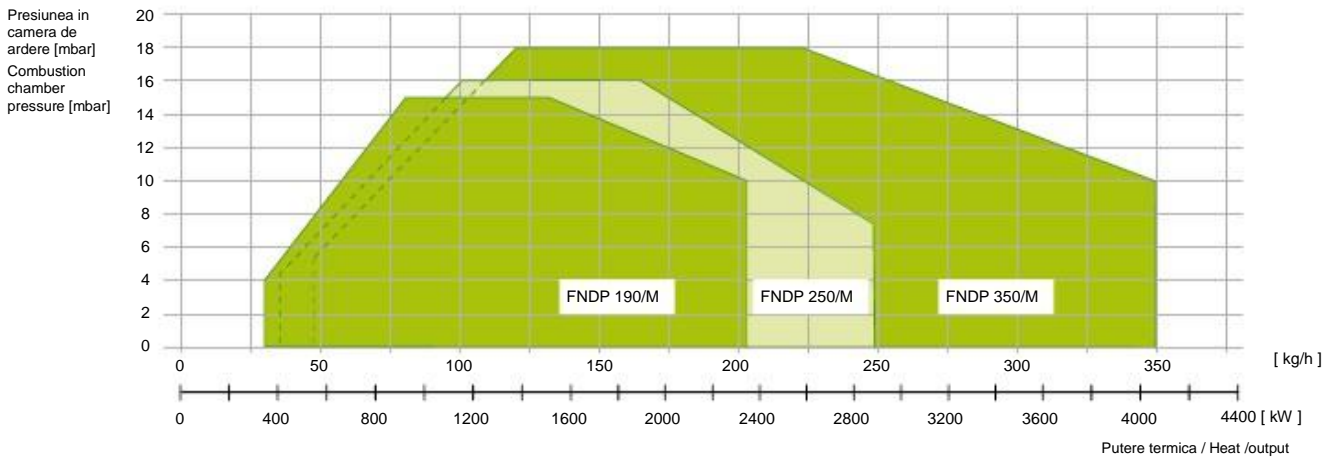
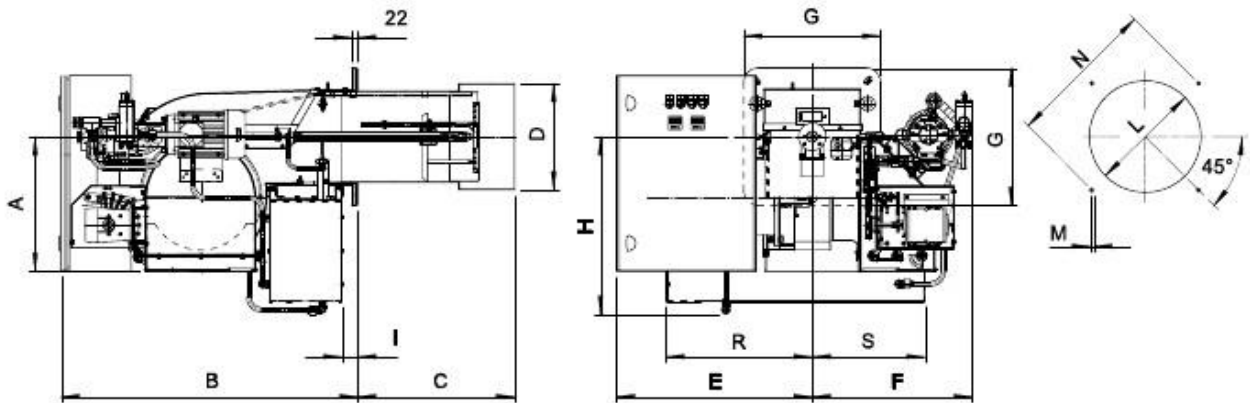


PROGRESIV MODULANT PROGRESSIVE & MODULATING

	kg/h minmax	kW		3F
		min	max	
FNDP 190/M *	40/80	206	456/911	2347
FNDP 250/M *	50/100	250	570/1139	2849
FNDP 350/M *	60/120	350	684/1367	3988

* Versiuni disponibile cu inverter si control electronic al arzatorului
* Available also versions with INVERTER and ELECTRONIC BURNER CONTROL

CARACTERISTICI / DIMENSIUNI de GABARIT (mm) / FIRING RATES / OVERALL DIMENSIONS (mm)



MODEL / MODEL	* Sugestie / Suggested																	
	A	B	C	D	E	F	G	H	I	L min	L*	L max	M	N min	N*	N max	R	S
FNDP 190/M	453	920	495	234	545	536	360	490	93	245	280	320	M14	396	424	438	400	400
FNDP 250/M	453	920	500	271	545	536	360	490	93	280	280	320	M14	396	424	438	400	400
FNDP 350/M	481	1025	535	334	600	565	490	495	75	350	350	450	M14	552	552	580	400	400

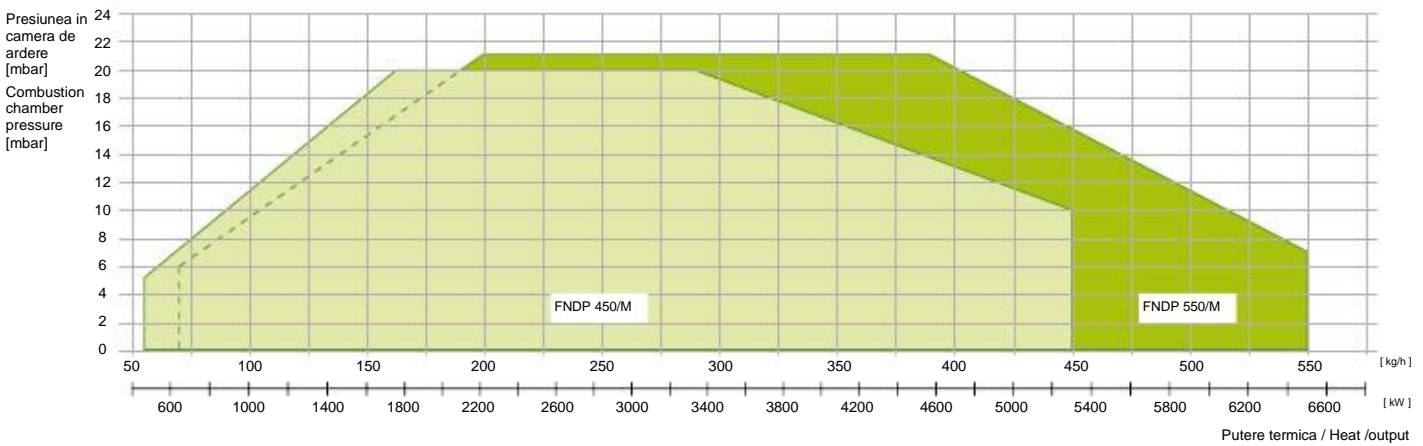
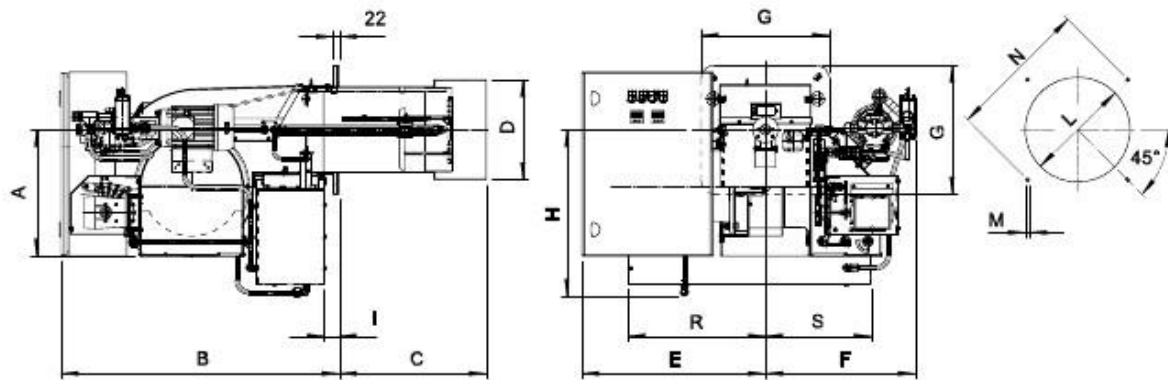


**PROGRESIV MODULANT
PROGRESSIVE & MODULATING**

	kg/h minmax	kW minmax	
FNDP 450/M *	80/160	450 911/1823	3F
FNDP 550/M *	100/200	550 1139/2279	

* Versiuni disponibile cu inverter si control electronic al arzatorului
* Available also versions with INVERTER and ELECTRONIC BURNER CONTROL

CARACTERISTICI / DIMENSIUNI de GABARIT (mm) / FIRING RATES / OVERALL DIMENSIONS (mm)



* Sugestie / Suggested

MODEL / MODEL

	A	B	C	D	E	F	G	H	I	L min	L*	L max	M	N min	N*	N max	R	S
FNDP 450/M	481	1100	560	380	700	571	490	635	57	390	390	450	M14	552	552	580	520	400
FNDP 550/M	481	1100	560	380	700	571	490	635	57	390	410	450	M14	552	552	580	520	400