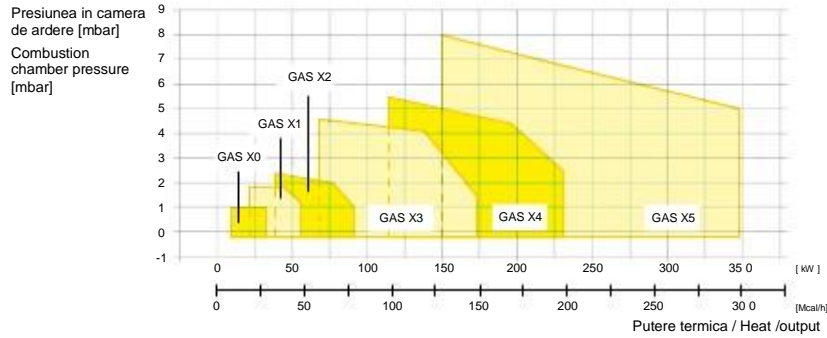
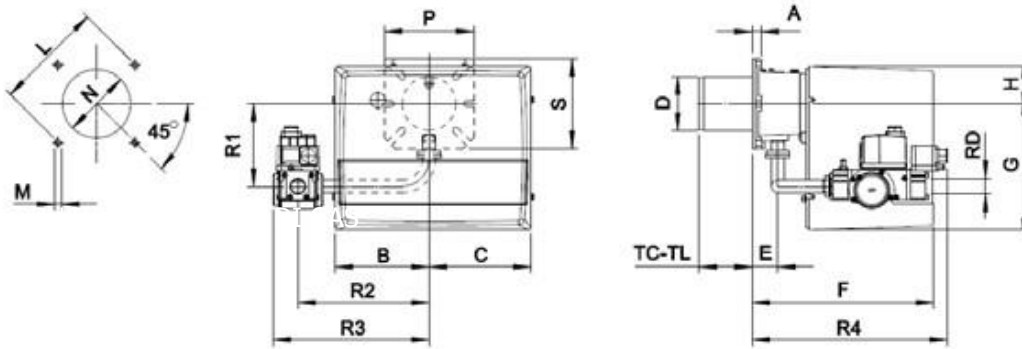




1 TREAPTA / 1 STAGE	kcal/h minmax		kW		
			min	max	
GAS X 0	10.000	29.500	11,6	34,3	1F
GAS X 1	20.000	50.000	23,2	58,1	
GAS X 2	35.000	80.000	40,7	93	
GAS X 3 *	60.000	150.000	69,8	174	
GAS X 4 *	100.000	200.000	116	232	
GAS X 5	130.000	300.000	151	349	

* Disponibile si in versiunea Low NOx / Available also in Low NOx version

CARACTERISTICI / DIMENSIUNI de GABARIT (mm) / FIRING RATES / OVERALL DIMENSIONS (mm)



* Sugestie / Suggested

MODEL / MODEL

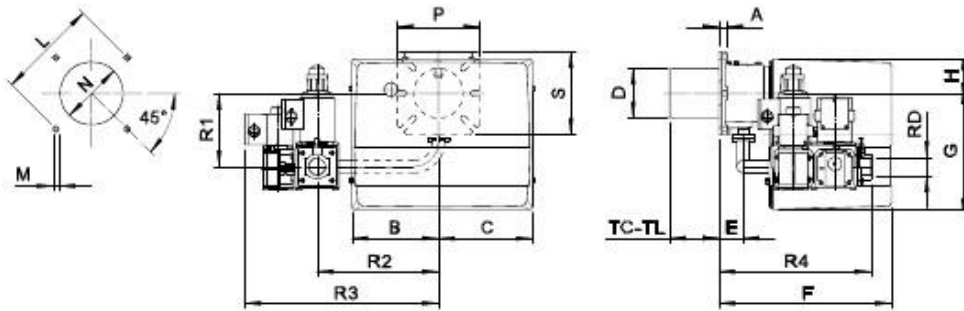
MODEL / MODEL	A	B	C	D	E	F	G	H	L _{min}	L*	L _{max}	M	N _{min}	N*	N _{max}	P	S	TC	TL	R1	R2	R3	R4	RD
GAS X0 CE - D1/2"-S	15	140	140	90	43	265	169	72	130	150	170	M8	100	110	130	150	150	90	150	132	200	254	240	1/2"
GAS X1 CE - D1/2"-S	15	162	175	90	43	305	210	65	130	150	170	M8	100	110	130	150	150	90	150	132	200	254	240	1/2"
GAS X2 CE - D3/4"-S	15	162	175	90	43	305	210	65	130	150	170	M8	100	110	130	150	150	90	150	138	220	262	328	3/4"
GAS X3 CE - D1"-S	16	185	195	108	54	340	248	70	150	170	170	M8	120	130	140	200	160	130	250	168	280	337	361	1"
GAS X4 CE - D1"-S	20	185	195	125	78	368	248	70	170	205	226	M10	130	140	160	200	200	160	280	173	280	337	385	1"
GAS X5 CE - D1"-S	18	207	213	138	98	462	310	90	205	205	226	M10	150	150	180	200	200	250	335	160	305	362	403	1"
GAS X5 CE - CT-D1"-S	18	207	213	138	98	462	310	90	205	205	226	M10	150	150	180	200	200	250	335	160	305	480	403	1"
GAS X5 CE - D1"1/4-S	18	207	213	138	98	462	310	90	205	205	226	M10	150	150	180	200	200	250	335	160	305	362	450	1"1/4
GAS X5 CE - CT-D1"1/4-S	18	207	213	138	98	462	310	90	205	205	226	M10	150	150	180	200	200	250	335	160	305	480	450	1"1/4



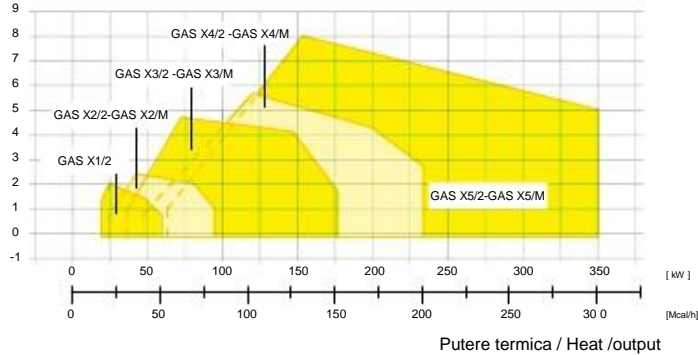
2 TREPTE / 2 STAGES	PROGRESIV MODULANT / PROGRESSIVE & MODULANTING	kcal/h		kW		1F
		min	max	min	max	
GAS X 1/2		20.000	50.000	18/23,2	58,1	
GAS X 2/2	GAS X 2/M	35.000	80.000	24,4/40,7	93	
GAS X 3/2 *	GAS X 3/M *	60.000	150.000	34,9/69,8	174	
GAS X 4/2 *	GAS X 4/M *	100.000	200.000	64/116	232	
GAS X 5/2 *	GAS X 5/M *	130.000	300.000	81,4/151	349	

* Disponibile si in versiunea Low NOx / Available also in Low NOx version

CARACTERISTICI / DIMENSIUNI de GABARIT (mm) / FIRING RATES / OVERALL DIMENSIONS (mm)



Presiunea in camera
de ardere [mbar] /
Combustion
chamber pressure
[mbar]



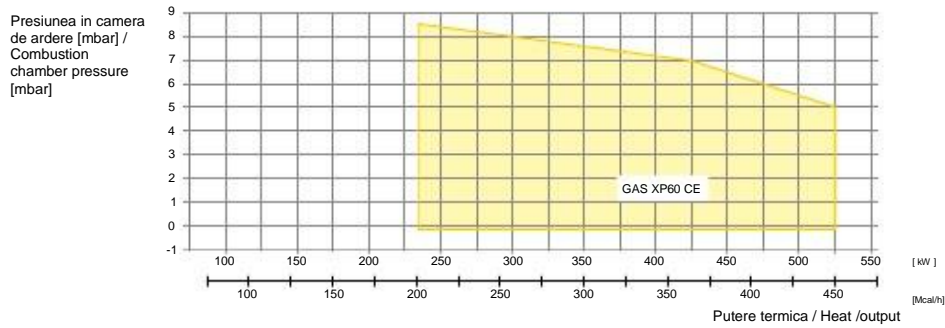
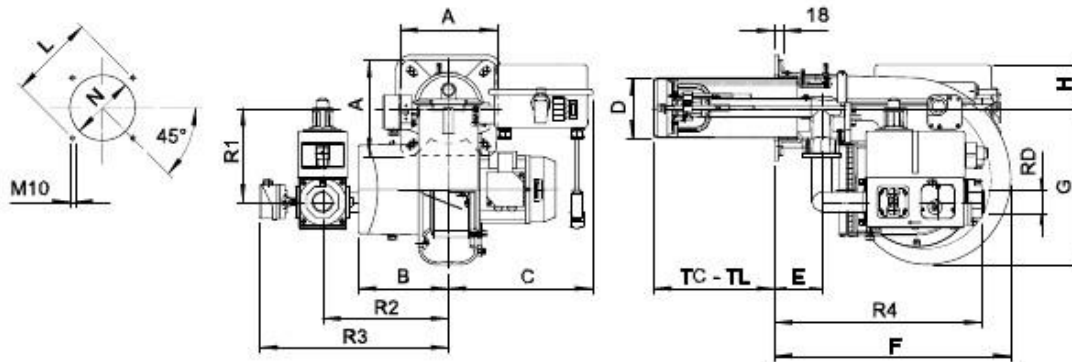
* Sugestie / Suggested

MODEL / MODEL	A	B	C	D	E	F	G	H	L min	L* L max	M	N min	N* N max	P	S	TC	TL	R1	R2	R3	R4	RD	
GAS X 1/2 CE - D1/2" S	15	162	175	90	45	313	210	65	130	150	M8	100	110	130	150	150	90	150	132	200	275	258	1/2"
GAS X 2/2 CE - D3/4" FS25	15	162	175	90	45	313	210	65	130	150	M8	100	110	130	150	150	90	150	138	220	351	275	1"
GAS X 3/2 CE - D1" S	16	185	195	108	52	340	248	70	150	170	M8	120	130	140	200	160	130	250	168	280	337	361	1"
GAS X 4/2 CE - D1" S	20	185	195	125	78	368	248	70	170	205	M10	130	140	160	200	200	160	280	173	280	337	385	1"
GAS X 5/2 CE - D1" S	18	207	213	138	98	462	310	90	205	205	M10	150	150	180	200	200	250	335	255	305	362	403	1"
GAS X 5/2 CE - CT D1" S	18	207	213	138	98	462	310	90	205	205	M10	150	150	180	200	200	250	335	255	305	480	403	1"
GAS X 5/2 CE - D1" 1/4 S	18	207	213	138	98	462	310	90	205	205	M10	150	150	180	200	200	250	335	255	305	362	450	1" 1/4
GAS X 5/2 CE - CT D1" 1/4 S	18	207	213	138	98	462	310	90	205	205	M10	150	150	180	200	200	250	335	255	305	480	450	1" 1/4
GAS X 2/M CE - D3/4" S	15	162	200	90	45	305	211	65	130	150	M8	100	110	130	150	150	90	150	178	220	262	346	3/4"
GAS X 3/M CE - D1" S	16	185	224	108	54	340	248	70	150	170	M8	120	130	140	200	160	130	250	228	280	338	360	1"
GAS X 4/M CE - D1" S	20	185	224	125	78	368	248	70	170	205	M10	130	140	160	200	200	160	280	233	280	338	385	1"
GAS X 5/M CE - D1" S	18	207	213	138	98	462	310	165	205	205	M10	150	150	180	200	200	250	335	160	305	395	508	1"
GAS X5/M CE - D1" 1/4 S	18	207	213	138	98	462	310	165	205	205	M10	150	150	180	200	200	250	335	160	305	395	508	1" 1/4



1 TREAPTA / 1 STAGE	kcal/h		kW		3F
	min	max	min	max	
GAS XP 60	200.000	450.000	232	523	

CARACTERISTICI / DIMENSIUNI de GABARIT (mm) / FIRING RATES / OVERALL DIMENSIONS (mm)



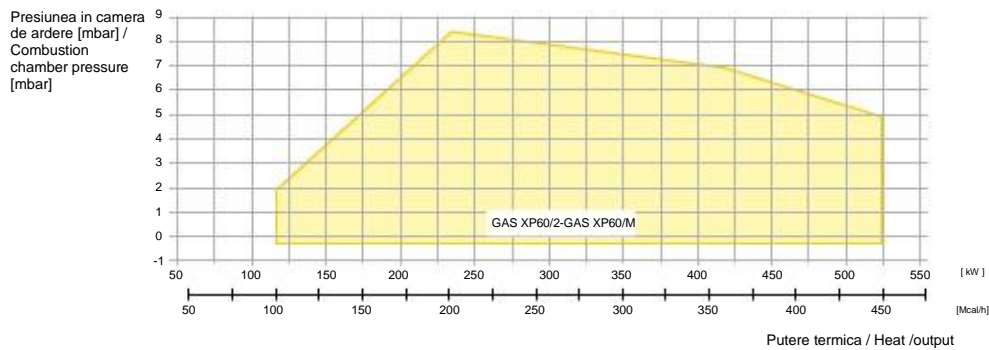
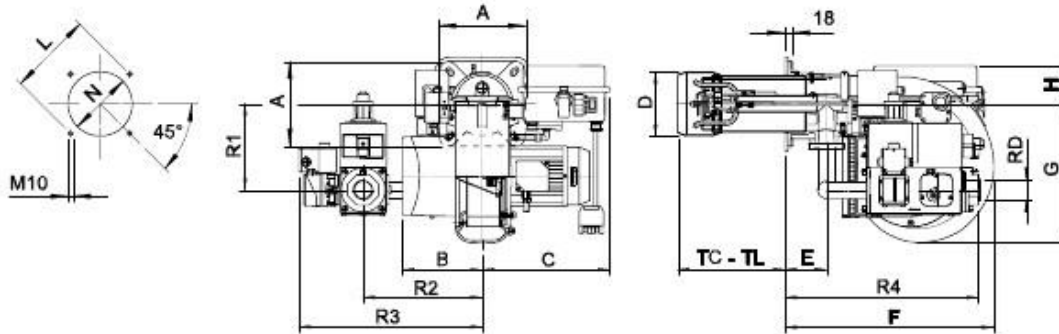
MODEL / MODEL	A	B	C	D	E	F	G	H	L min*	L max	N min*	N max	TC	TL	R1	R2	R3	R4	RD	* Sugestie / Suggested
GASP XP 60 CE - D1" - S	200	188	301	150	98	493	327	90	205	226	160	180	250	335	202	280	337	445	1"	
GASP XP 60 CE - D1" 1/4 - S	200	188	301	150	98	493	327	90	205	226	160	180	250	335	202	280	337	445	1" 1/4	
GAS XP 60 CE - D1" 1/2 - FS40	200	188	301	150	98	493	327	90	205	226	160	180	250	335	202	280	420	456	1" 1/2	
GAS XP 60 CE - D1" 1/2 - FS50	200	188	301	150	98	493	327	90	205	226	160	180	250	335	202	280	420	456	1" 1/2	



2 TREPTE / 2 STAGES	PROGRESIV MODULANT / PROGRESSIVE & MODULANTING	kcal/h minmax	kW		3F
			min	max	
GAS XP 60/2 *	GAS XP 60/M *	200.000 450.000	116/232	523	3F

* Disponibile si in versiunea Low NOx / Available also in Low NOx version

CARACTERISTICI / DIMENSIUNI de GABARIT (mm) / FIRING RATES / OVERALL DIMENSIONS (mm)



* Sugestie / Suggested

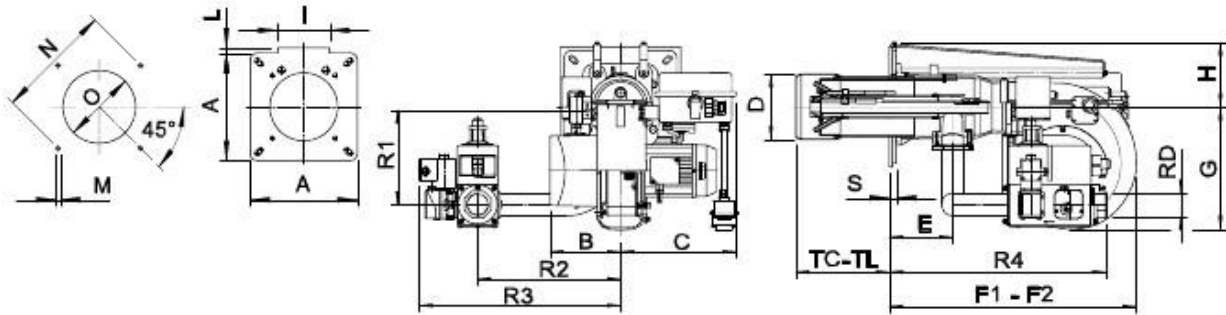
MODEL / MODEL	A	B	C	D	E	F	G	H	L min*	L max	N min*	N max	TC	TL	R1	R2	R3	R4	RD
GASP XP 60/2 CE - D1" - S	200	188	301	150	98	493	327	90	205	226	160	180	250	335	202	280	337	445	1"
GASP XP 60/2 CE - D1" 1/4 - S	200	188	301	150	98	493	327	90	205	226	160	180	250	335	202	280	337	445	1" 1/4
GAS XP 60/2 CE - D1" 1/2 - FS40	200	188	301	150	98	493	327	90	205	226	160	180	250	335	202	280	432	456	1" 1/2
GAS XP 60/2 CE - D1" 1/2 - FS50	200	188	301	150	98	493	327	90	205	226	160	180	250	335	202	280	432	456	1" 1/2
GASP XP 60/M CE - D1" - S	200	331	301	150	98	493	327	90	205	226	160	180	250	335	202	403	460	445	1"
GASP XP 60/M CE - D1" 1/4 - S	200	331	301	150	98	493	327	90	205	226	160	180	250	335	202	403	460	445	1" 1/4
GAS XP 60/M CE - D1" 1/2 - FS40	200	331	301	150	98	493	327	90	205	226	160	180	250	335	202	411	550	468	1" 1/2
GAS XP 60/M CE - D1" 1/2 - FS50	200	331	301	150	98	493	327	90	205	226	160	180	250	335	202	411	550	468	1" 1/2



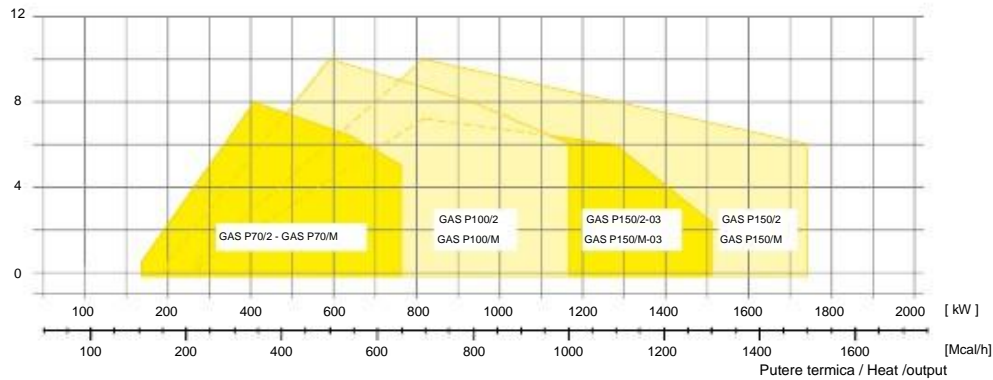
2 TREPTE / 2 STAGES	PROGRESIV MODULANT / PROGRESSIVE & MODULANTING	kcal/h		kW		3F
		min	max	min	max	
GAS P 70/2	GAS P 70/M	350.000	650.000	135/407	756	
GAS P 100/2 *	GAS P 100/M *	500.000	1.000.000	200/581	1163	
GAS P 150/2 *	GAS P 150/M *	700.000	1.500.000	240/814	1744	

* Disponibile si in versiunea Low NOx / Available also in Low NOx version

CARACTERISTICI / DIMENSIUNI de GABARIT (mm) / FIRING RATES / OVERALL DIMENSIONS (mm)



Presiunea in camera de ardere [mbar]
Combustion chamber pressure [mbar]



*Sugestie / Suggested

F2= dimensiune de ansamblu cu arzătorul în poziția de întreținere
F2= overall dimension with the burner out in position of maintenance

MODEL / MODEL	A	B	C	D	E	F1	F2	G	H	I	L	M	N min	N max	o min*	o max	TC	TL	S	R1	R2	R3	R4	RD
GAS P 70/2 CE - D1" 1/2-FS50	300	188	308	175	168	660	1100	327	171	144	10	M12	310	368	185	250	250	385	18	260	380	532	576	1" 1/2
GAS P 70/2 CE - D2"-FS50	300	188	308	175	168	660	1100	327	171	144	10	M12	310	368	185	250	250	385	18	260	380	536	576	2"
GAS P 100/2 CE - D1" 1/2-FS50	300	238	372	185	184	660	1160	438	173	0	0	M12	340	368	195	250	250	385	18	260	380	532	591	1" 1/2
GAS P 100/2 CE - D2"-FS50	300	238	372	185	184	660	1160	438	173	0	0	M12	340	368	195	250	250	385	18	260	380	536	591	2"
GAS P 100/2 CE - DN65-FS65	300	238	372	185	184	660	1160	438	173	0	0	M12	340	368	195	250	250	385	18	260	380	540	630	DN65
GAS P 150/2 CE - D2"-FS50	320	238	372	209	193	800	1380	438	213	183	40	M14	340	368	220	250	280	400	23	284	380	552	600	2"
GAS P 150/2 CE - DN65-FS65	320	238	372	209	193	800	1380	438	213	183	40	M14	340	368	220	250	280	400	23	228	340	495	585	DN65
GAS P 150/2 CE - DN80-FS80	320	238	372	209	193	800	1380	438	213	183	40	M14	340	368	220	250	280	400	23	228	420	590	605	DN80
GAS P 70/M CE - D1" 1/2-FS50	300	331	362	175	168	660	1100	327	171	144	10	M12	310	368	185	250	250	385	18	260	415	553	538	1" 1/2
GAS P 70/M CE - D2"-FS50	300	331	362	175	168	660	1100	327	171	144	10	M12	310	368	185	250	250	385	18	260	415	553	538	2"
GAS P 100/M CE - D1" 1/2-FS50	300	376	372	185	184	660	1160	438	173	0	0	M12	340	368	195	250	250	385	18	260	460	600	554	1" 1/2
GAS P 100/M CE - D2"-FS50	300	376	372	185	184	660	1160	438	173	0	0	M12	340	368	195	250	250	385	18	260	460	600	554	2"
GAS P 100/M CE - DN65-FS65	300	376	372	185	184	660	1160	438	173	0	0	M12	340	368	195	250	250	385	18	260	500	592	580	DN65
GAS P 150/M CE - D2"-FS50	320	376	372	209	193	800	1380	438	213	183	40	M14	340	368	220	250	280	400	23	228	510	673	552	2"
GAS P 150/M CE - DN65-FS65	320	376	372	209	193	800	1380	438	213	183	40	M14	340	368	220	250	280	400	23	228	510	665	590	DN65
GAS P 150/M CE - DN80-FS80	320	376	372	209	193	800	1380	438	213	183	40	M14	340	368	220	250	280	400	23	228	550	720	630	DN80

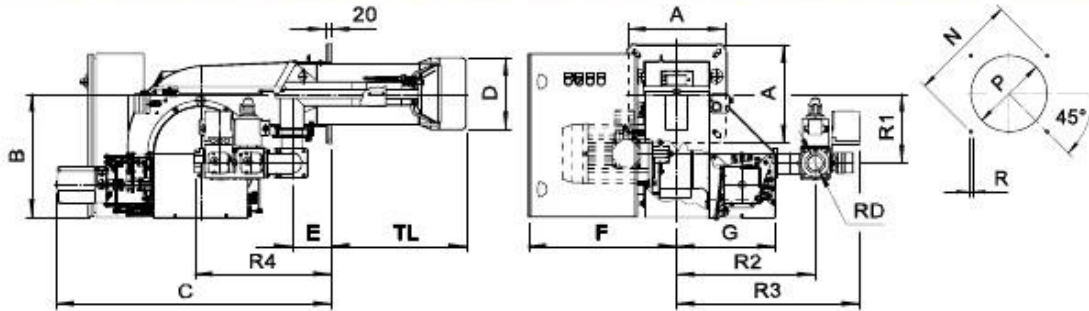


2 TREPTE 2 STAGES	PROGRESIV MODULANT PROGRESSIVE & MODULANTING	kcal/h		kW		3F
		min	max	min	max	
GAS P 190/2*	GAS P 190/M* **	900.000	1.900.000	349/1046	2209	
GAS P 250/2*	GAS P 250/M* **	1.000.000	2.500.000	384/1163	2907	
GAS P 300/2*	GAS P 300/M* **	1.200.000	3.000.000	465/1395	3488	

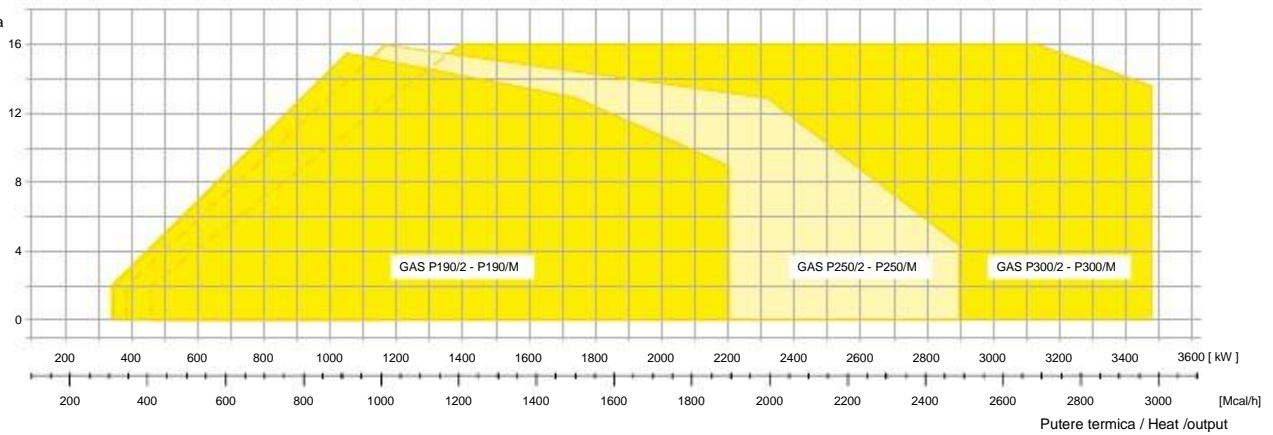
* Disponibile si in versiunea Low NOx / Available also in Low NOx version

** Versiuni disponibile cu inverter si control electronic al arzatorului / Available also versions with INVERTER and ELECTRONIC BURNER CONTROL

CARACTERISTICI / DIMENSIUNI de GABARIT (mm) / FIRING RATES / OVERALL DIMENSIONS (mm)



Presiunea in camera de ardere [mbar] / Combustion chamber pressure [mbar]



MODEL / MODEL

* Sugestie / Suggested

	A	B	C	D	E	F	G	TL	N min	N*	N max	P min*	P max	R	R1	R2
GAS P 190/2 CE	360	453	920	265	145	545	363	495	396	424	438	280	320	M14	275	570
GAS P 250/2 CE	360	453	920	270	145	545	363	495	396	424	438	280	320	M14	275	570
GAS P 300/2 CE	360	453	920	300	145	545	363	460	396	424	438	310	320	M14	275	570
GAS P 190/M CE	360	453	1010	265	145	545	363	495	396	424	438	280	320	M14	254	509
GAS P 250/M CE	360	453	1010	270	145	545	363	495	396	424	438	280	320	M14	254	480
GAS P 300/M CE	360	453	1010	300	145	545	363	460	396	424	438	310	320	M14	254	480

MODEL / MODEL

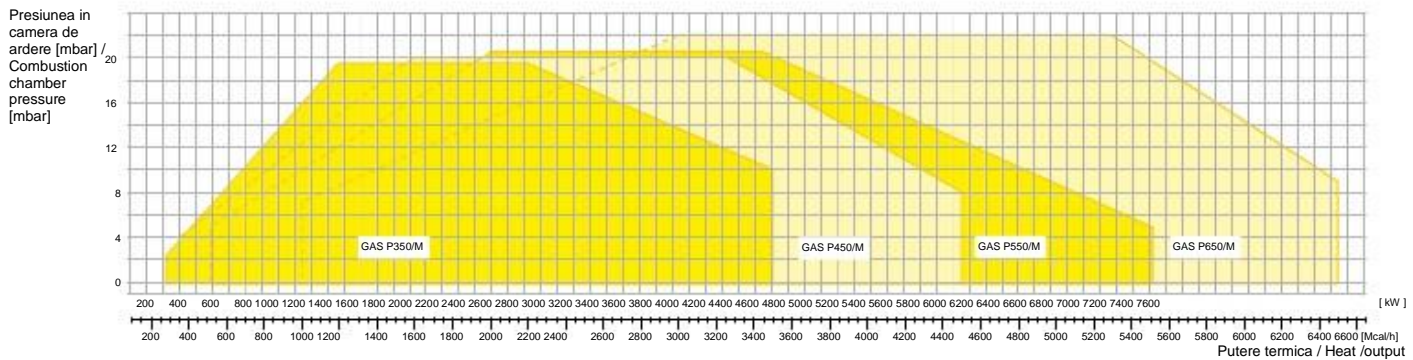
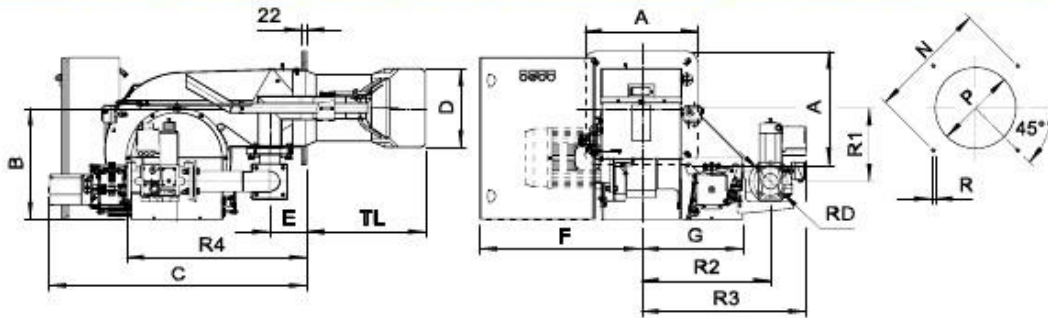
	GAS P190/2 CE				GAS P250/2 CE				GAS P300/2 CE				GAS P190/M CE				GAS P250/M CE				GAS P300/M CE			
R3	734	724	736	745	734	724	736	745	734	724	736	745	672	634	647	654	672	634	647	654	672	634	647	654
R4	656	688	708	748	656	688	708	748	656	688	708	748	504	688	708	748	504	688	708	748	504	688	708	748
RD	2"	DN65	DN80	DN100	2"	DN65	DN80	DN100	2"	DN65	DN80	DN100	2"	DN65	DN80	DN100	2"	DN65	DN80	DN100	2"	DN65	DN80	DN100



PROGRESIV MODULANT / PROGRESSIVE & MODULANTING	kcal/h		kW		3F
	min	max	min	max	
GAS P 350/M* **	1.200.000	3.500.000	465/1395	4070	3F
GAS P 450/M* **	1.600.000	4.500.000	581/1860	5232	
GAS P 550/M* **	2.000.000	5.500.000	698/2325	6395	
GAS P 650/M **	3.000.000	6.500.000	1163/3488	7558	

* Disponibile si in versiunea Low NOx / Available also in Low NOx version
 ** Versiuni diponibile cu invertor si control electronic al arzatorului / Available also versions with INVERTER and ELECTRONIC BURNER CONTROL

CARACTERISTICI / DIMENSIUNI de GABARIT (mm) / FIRING RATES / OVERALL DIMENSIONS (mm)



* Sugestie / Suggested

MODEL / MODEL	A	B	C	D	E	F	G	TL	N min	N*	N max	P min	P*	P max	R	R1	R2	R3	R4	RD
GAS P 350/M CE - D2" - FS50	490	481	1118	342	160	600	440	515	552	552	580	350	360	450	M14	317	535	660	570	2"
GAS P 350/M CE - DN65 - FS65	490	481	1118	342	160	600	440	515	552	552	580	350	360	450	M14	317	560	714	780	DN65
GAS P 350/M CE - DN80 - FS80	490	481	1118	342	160	600	440	515	552	552	580	350	360	450	M14	317	560	727	800	DN80
GAS P 350/M CE - DN100 - FS100	490	481	1118	342	160	600	440	515	552	552	580	350	360	450	M14	317	590	765	840	DN100
GAS P 450/M CE - D2" - FS50	490	481	1118	382	160	600	440	520	552	552	580	390	400	450	M14	317	535	660	570	2"
GAS P 450/M CE - DN65 - FS65	490	481	1118	382	160	600	440	520	552	552	580	390	400	450	M14	317	560	714	780	DN65
GAS P 450/M CE - DN80 - FS80	490	481	1118	382	160	600	440	520	552	552	580	390	400	450	M14	317	560	727	800	DN80
GAS P 450/M CE - DN100 - FS100	490	481	1118	382	160	600	440	520	552	552	580	390	400	450	M14	317	590	765	840	DN100
GAS P 550/M CE - D2" - FS50	490	481	1118	402	160	661	440	520	552	552	580	410	420	450	M14	317	535	660	570	2"
GAS P 550/M CE - DN65 - FS65	490	481	1118	402	160	661	440	520	552	552	580	410	420	450	M14	317	560	714	780	DN65
GAS P 550/M CE - DN80 - FS80	490	481	1118	402	160	661	440	520	552	552	580	410	420	450	M14	317	560	727	800	DN80
GAS P 550/M CE - DN100 - FS100	490	481	1118	402	160	661	440	520	552	552	580	410	420	450	M14	317	590	765	840	DN100
GAS P 650/M CE - DN65 - FS65	490	481	1118	420	160	700	440	490	552	552	580	430	440	450	M14	317	560	714	780	DN65
GAS P 650/M CE - DN80 - FS80	490	481	1118	420	160	700	440	490	552	552	580	430	440	450	M14	317	560	727	800	DN80
GAS P 650/M CE - DN100 - FS100	490	481	1118	420	160	700	440	490	552	552	580	430	440	450	M14	317	590	765	840	DN100