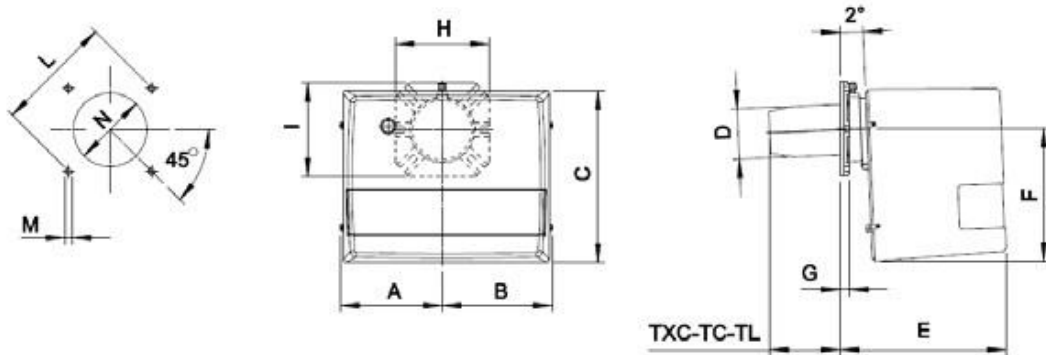




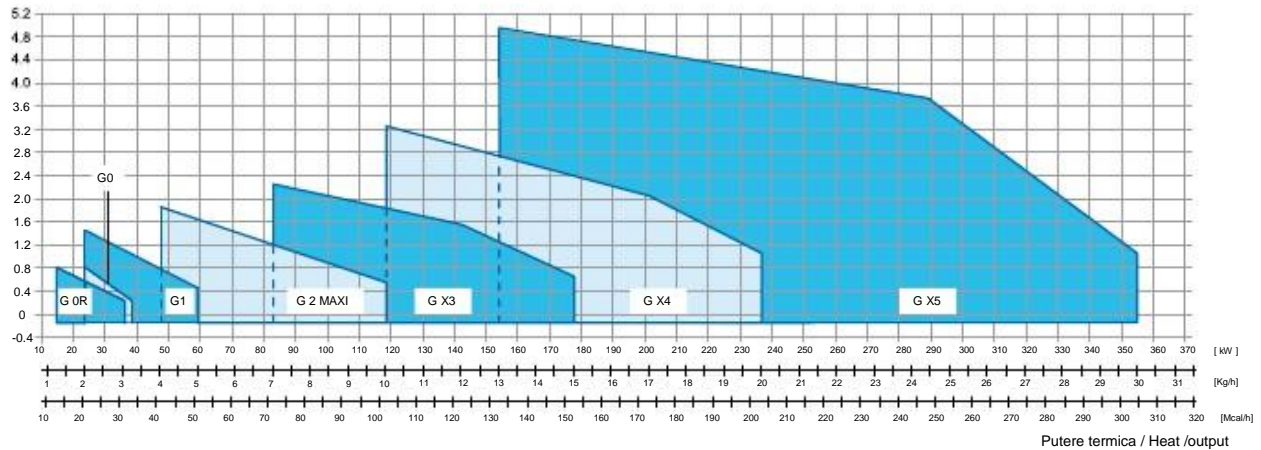
1 TREAPTA / 1 STAGE	kg/h		kW		⚡
	min	max	min	max	
G 0S 2001/2003* - G 0H 2001	2	3,3	23,7	39,1	1F
G 0SR 2001/2003* - G 0HR 2001	1,2	3,1	14,2	36,7	
G 1S 2001/2003* - G 1H 2001 - G 1R 2001/2003*	2	5	23,7	59,3	
G 2S MAXI* - G 2H MAXI	4	9,8	47,4	116	
G X3S - G X3H	7	15	83	178	
G X4S - G X4H	10	20	118	237	
G X5S - G X5H	12	30	142	356	

* Disponibile si in versiunea Low NOx / Available also in Low NOx version

CARACTERISTICI / DIMENSIUNI de GABARIT (mm) / FIRING RATES / OVERALL DIMENSIONS (mm)



Presiunea in camera de ardere [mbar]
Combustion chamber pressure [mbar]



MODEL / MODEL

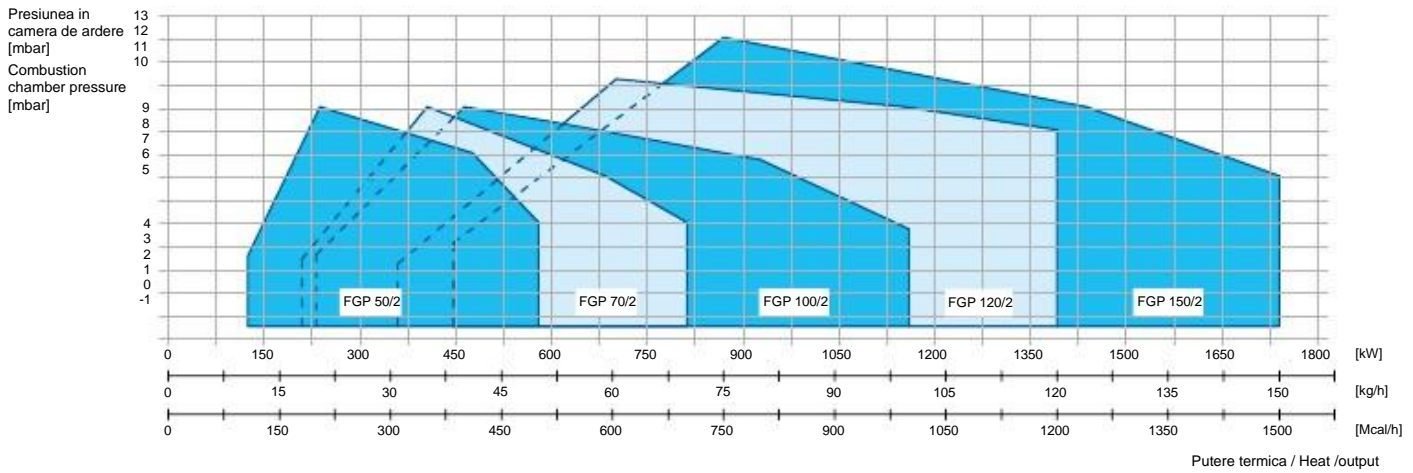
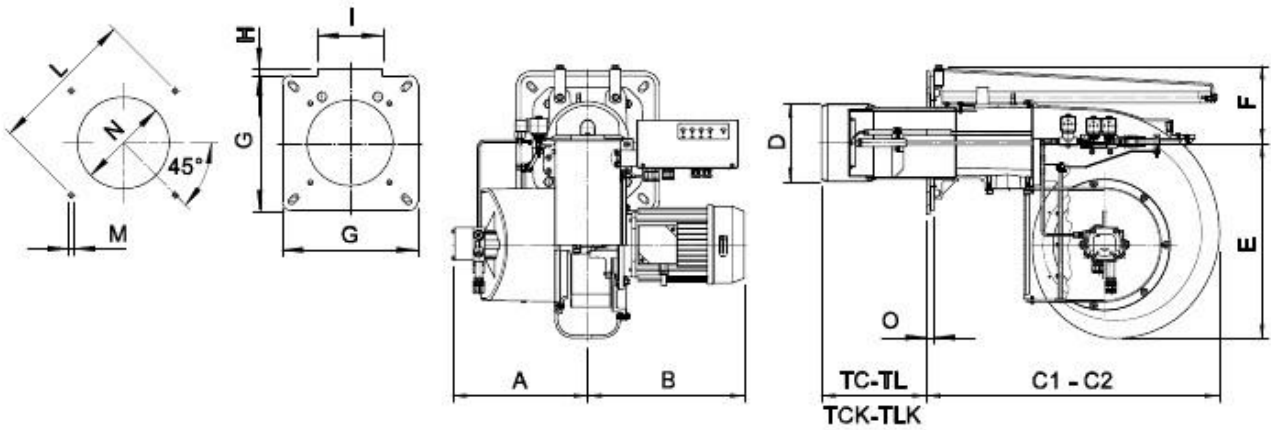
MODEL / MODEL	A	B	C	D	E	F	G	H	I	L min	L*	L max	M	N min	N*	N max	TC	TL
G 0... 2001	137	137	240	80	223	169	15	150	150	130	150	170	M8	90	110	130	112	152
G 0...2003 **	137	137	240	83	223	169	15	150	150	130	150	170	M8	90	110	130	112	152
G 1... 2001	157	170	275	80	265	210	15	150	150	130	150	170	M8	90	110	130	112	152
G 1...2003	157	170	275	83	265	210	15	150	150	130	150	170	M8	90	110	130	112	152
G 2...MAXI	157	170	275	90	265	210	15	150	150	130	150	170	M8	100	110	130	107	147
G X3...	182	192	318	110	306	248	17	200	200	160	170	226	M10	120	130	140	130	250
G X4...	182	192	318	124	306	248	17	200	200	170	205	226	M10	130	140	160	130	250
G X5...	210	218	400	130	461	310	18	200	200	205	220	226	M10	140	150	180	215	335

* Sugestie / Suggested
** TXC = 77



2 TREPTE / 2 STAGES	kg/h minmax		kW		
			min	max	
FGP 50/2	10,5/20	50	124/237	593	3F
FGP 70/2	18/35	70	213/415	830	
FGP 100/2	20,5/40	100	243/474	1186	
FGP 120/2	29/60	120	344/712	1423	
FGP 150/2	38,5/75	150	457/889	1779	

CARACTERISTICI / DIMENSIUNI de GABARIT (mm) / FIRING RATES / OVERALL DIMENSIONS (mm)



* Sugestie / Suggested

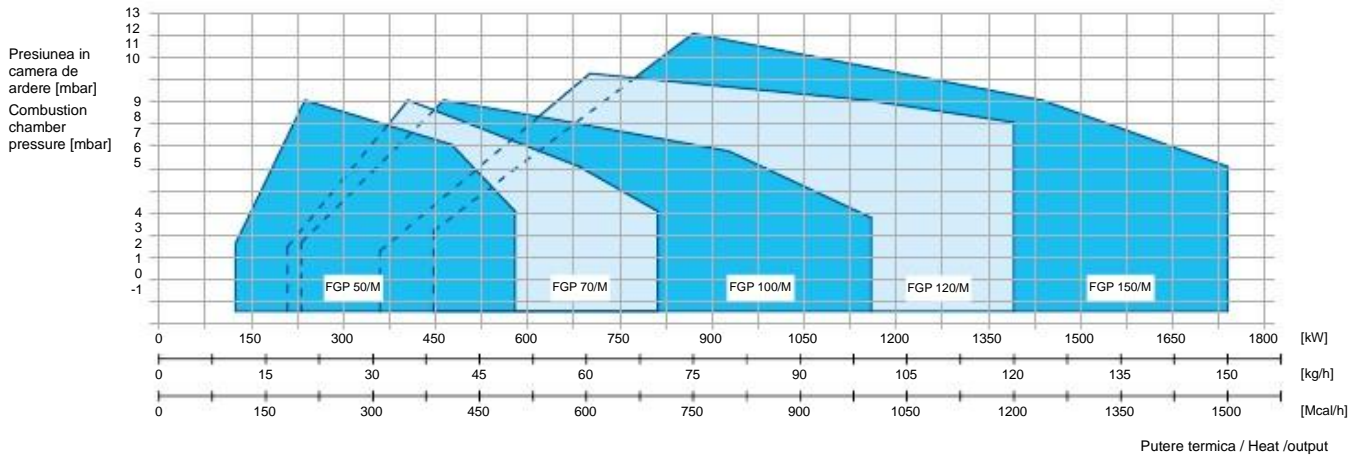
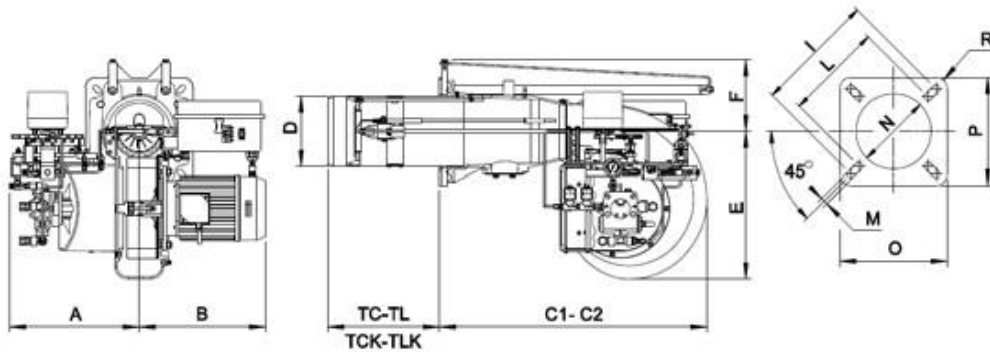
C2= dimensiune de ansamblu cu arzătorul în poziția de întreținere
C2= overall dimension with the burner out in position of maintenance

MODEL / MODEL	A	B	C1	C2	D	E	F	G	H	I	L min	L max	M	N min*	N max	O	TC	TCK	TLK	TL
FGP 50/2	188	324	493	-	150	327	100	200	0	0	205	226	M10	160	180	18	250	-	-	335
FGP 70/2	250	310	660	1060	165	327	171	300	10	144	310	368	M12	180	250	18	-	250	-	335
FGP 100/2	300	350	670	1170	175	438	173	300	0	0	340	368	M12	190	250	18	-	235	370	-
FGP 120/2	350	380	820	1400	212	438	213	320	40	183	340	368	M14	230	250	23	200	-	-	400
FGP 150/2	350	380	820	1400	212	438	213	320	40	183	340	367	M14	230	250	23	200	-	-	400



PROGRESIV MODULANT PROGRESSIVE & MODULATING	kg/h minmax	kW		3F
		min	max	
FGP 50/M	10,5/20	50	124/237	593
FGP 70/M	18/35	70	213/415	830
FGP 100/M	20,5/40	100	243/474	1186
FGP 120/M	29/60	120	344/712	1423
FGP 150/M	38,5/75	150	457/889	1779

CARACTERISTICI / DIMENSIUNI de GABARIT (mm) / FIRING RATES / OVERALL DIMENSIONS (mm)



* Sugestie / Suggested

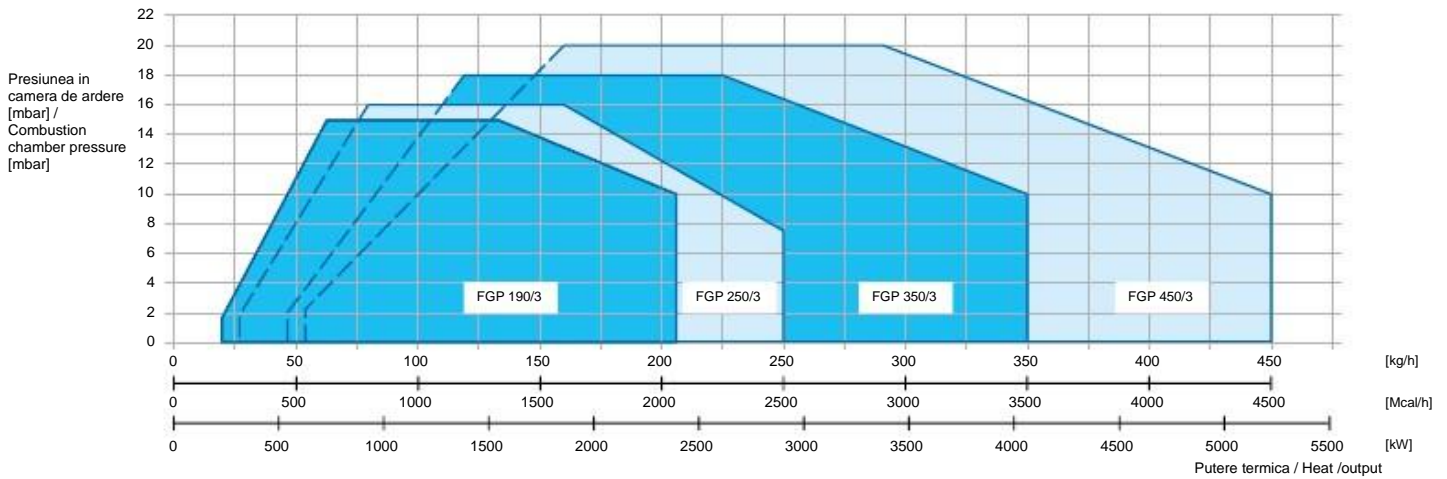
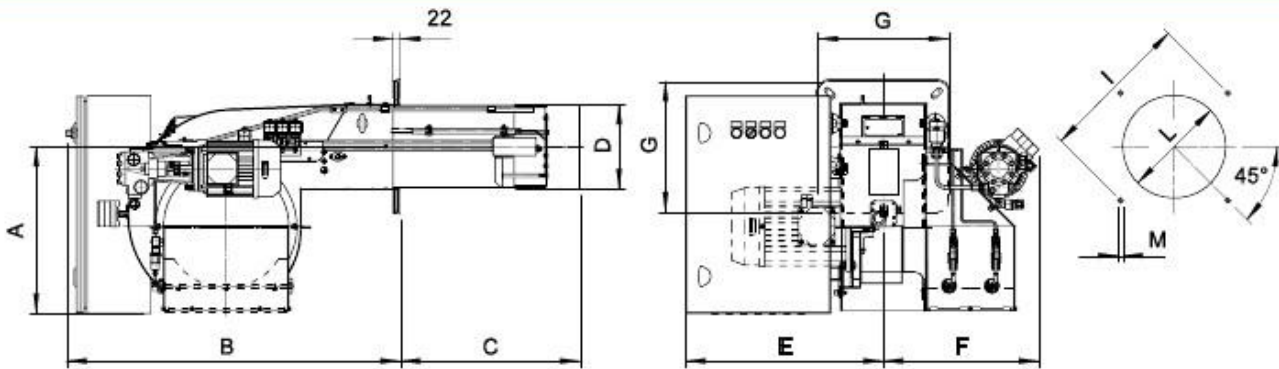
C2= dimensiune de ansamblu cu arzătorul în poziția de întreținere
C2= overall dimension with the burner out in position of maintenance

MODEL / MODEL	A	B	C1	C2	D	E	F	I	L	M	N	O	P	R	TC	TCK	TL	TLK
FGP 50/M	350	305	530	-	150	327	145	226	205	M10	160	220	220	R30	250	-	335	-
FGP 70/M	350	310	700	1140	165	327	171	368	340	M12	180	320	320	R20	-	250	335	-
FGP 100/M	386	375	651	1150	175	438	173	368	340	M12	190	320	320	R20	-	235	-	370
FGP 120/M	386	376	815	1395	209	438	213	368	340	M14	230	320	320	R20	200	-	400	-
FGP 150/M	386	397	815	1395	209	438	213	368	340	M14	230	320	320	R20	200	-	400	-



3 TREPTE / 3 STAGES	kg/h minmax		kW		
			min	max	
FGP 190/3	22/60	206	255/712	2443	3F
FGP 250/3	27/80	250	313/949	2965	
FGP 350/3	49/140	350	568/1660	4151	
FGP 450/3	55/160	450	638/1898	5337	

CARACTERISTICI / DIMENSIUNI de GABARIT (mm) / FIRING RATES / OVERALL DIMENSIONS (mm)



MODEL / MODEL

* Sugestie / Suggested

	A	B	C	D	E	F	G	I min	I*	I max	L min	L*	L max	M
FGP 190/3	453	920	495	234	545	429	360	396	424	438	245	280	320	M14
FGP 250/3	453	920	500	271	545	460	360	396	424	438	280	280	320	M14
FGP 350/3	481	1090	535	334	600	517	490	552	552	580	350	350	450	M14
FGP 450/3	481	1090	560	380	600	517	490	552	552	580	390	390	450	M14

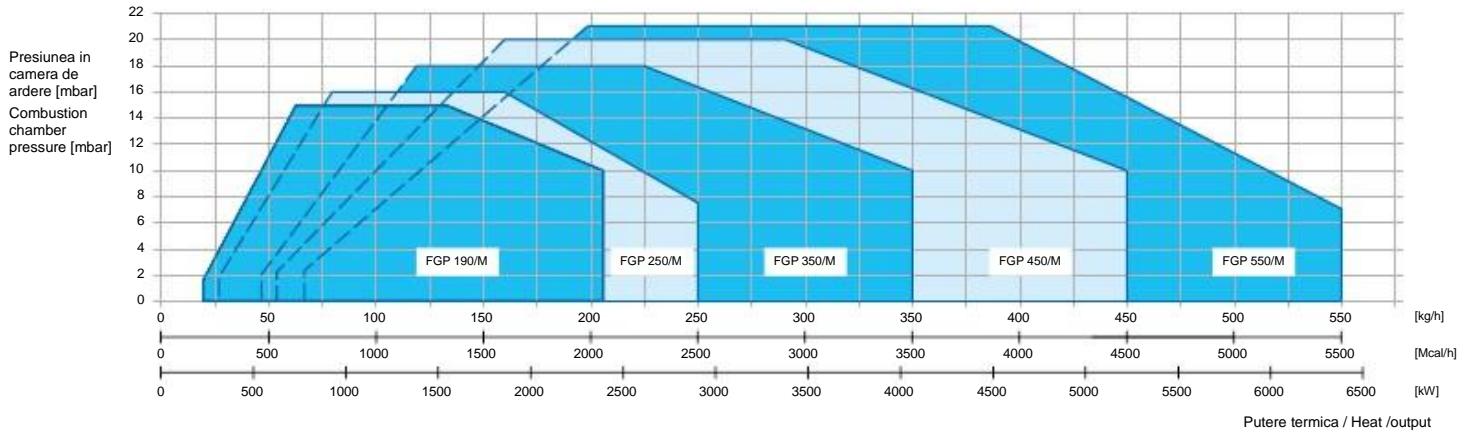
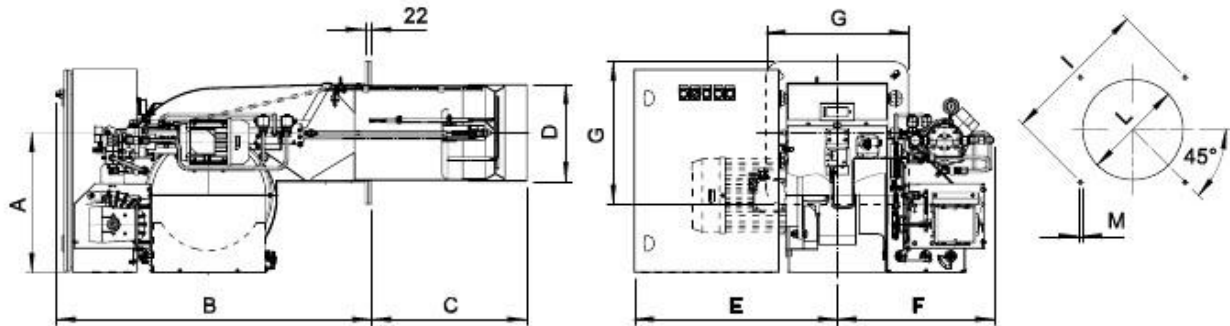




PROGRESIV MODULANT PROGRESSIVE & MODULATING	kg/h minmax	kW minmax		
FGP 190/M *	20/60	206	232/712	3F
FGP 250/M *	26/80	250	302/949	
FGP 350/M *	46/140	350	534/1660	
FGP 450/M *	53/160	450	615/1898	
FGP 550/M *	66/200	550	766/2372	

* Versiuni disponibile cu inverter si control electronic al arzatorului
 * Available also versions with INVERTER and ELECTRONIC BURNER CONTROL

CARACTERISTICI / DIMENSIUNI de GABARIT (mm) / FIRING RATES / OVERALL DIMENSIONS (mm)



MODEL / MODEL	* Sugestie / Suggested													
	A	B	C	D	E	F	G	I min	I*	I max	L min	L*	L max	M
FGP 190/M	453	920	495	234	545	530	360	396	424	438	245	280	320	M14
FGP 250/M	453	920	500	271	545	530	360	396	424	438	280	280	320	M14
FGP 350/M	481	1090	535	334	600	540	490	552	552	580	350	350	450	M14
FGP 450/M	481	1090	560	380	600	540	490	552	552	580	390	390	450	M14
FGP 550/M	481	1090	560	380	600	540	490	552	552	580	390	410	450	M14